

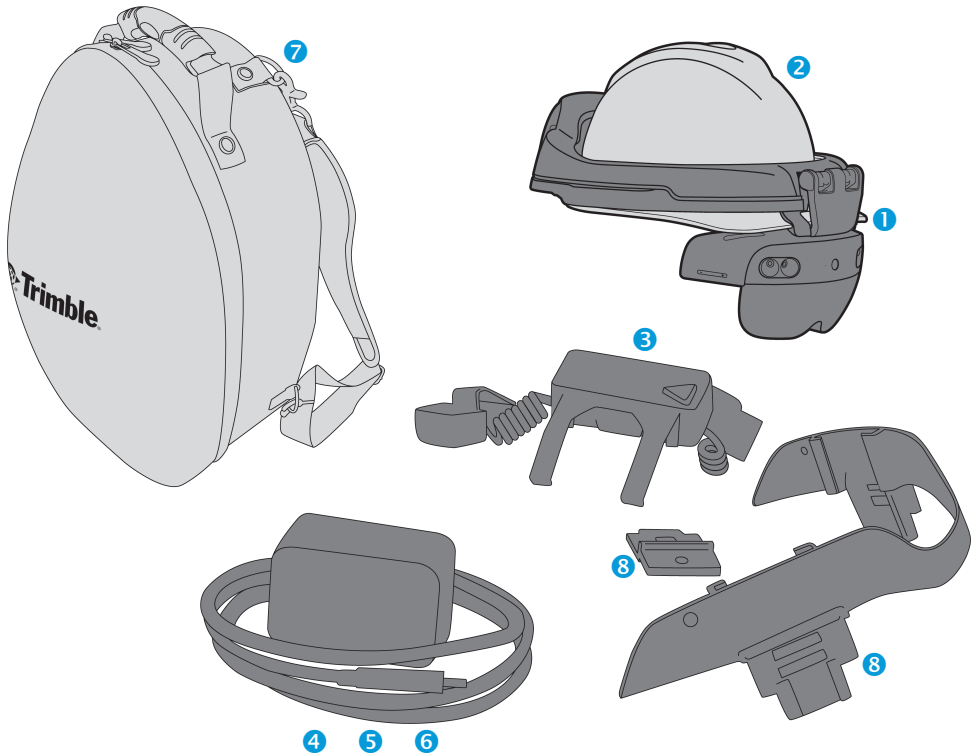


# TRIMBLE XR10

WITH HOLOLENS 2



## IN THE BOX



Item	Description	Item	Description
1	Trimble® XR10 with HoloLens® 2	5	Power supply
2	MSA V-Gard hardhat with Fas-Trac III suspension, preassembled with suspension shim	6	International power adapter (where applicable)
3	mobiWAN_TR bone-conductive Bluetooth® wireless technology headset (in separate box)	7	Carrying case
4	USB-C charging cable	8	Spare base attachment hook and spare suspension shim

# ASSEMBLY

The XR10 with HoloLens 2 comes preassembled in the carrying case. Therefore, Steps 1 to 4 can initially be skipped. If you need to replace the hardhat or suspension, please refer back to these instructions for reassembly.

# 1

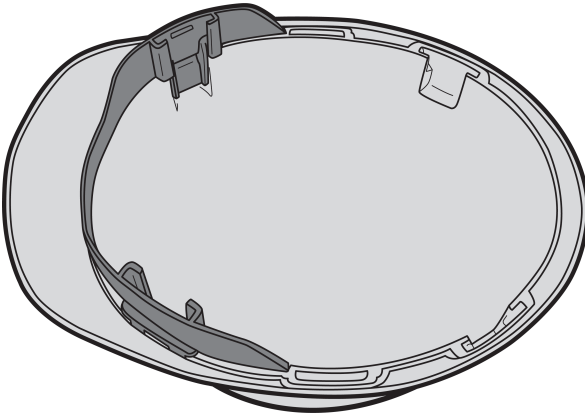
## Gather the necessary parts for assembly

- ▶ XR10 with HoloLens 2
- ▶ MSA V-Gard hardhat
- ▶ Fas-Trac III suspension
- ▶ Suspension shim

# 2

## Attach the suspension shim to the MSA V-Gard hardhat

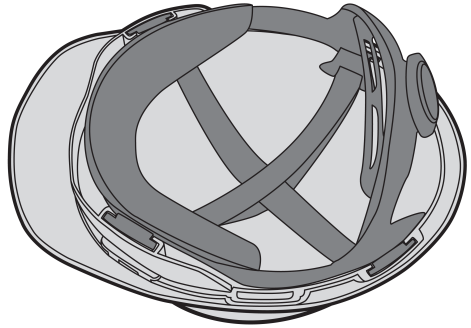
Place the hardhat upside down and attach the two clips of the suspension shim into the front two vertical slots of the hardhat.



# 3

## Attach the Fas-Trac III suspension to the shim and hardhat

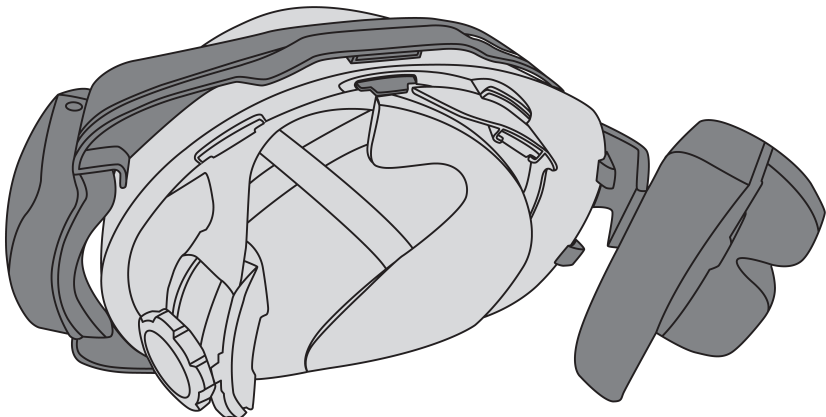
1. Ensure that the ratchet wheel is facing the rear of the hardhat (opposite the shim).
2. Place the front two clips into the vertical slots on the suspension shim and the back two clips into the rear vertical slots on the hardhat.
3. Push down on the center of the webbing to pull it tight inside the hardhat. Before proceeding, ensure that each clip is fully fastened.



# 4

## Attach the XR10 with HoloLens 2 to the MSA V-Gard hardhat

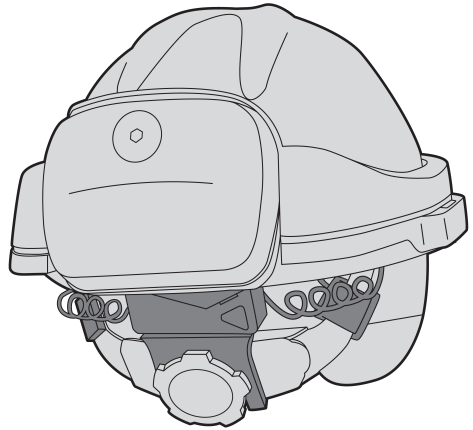
1. Flip the hardhat right-side up with the suspension ratchet wheel facing you.
2. With the lens facing away from you, align the XR10 base attachment hooks with the vertical slots on either side of the hardhat.
3. Fasten the two hooks simultaneously in one vertical motion.
4. Fasten the clips on the front of the XR10 with HoloLens 2 to the front brim of the hardhat by pushing gently down on the top of the hinge.



# 5

## Connect the mobiWAN\_TR device to the Fas-Trac III suspension

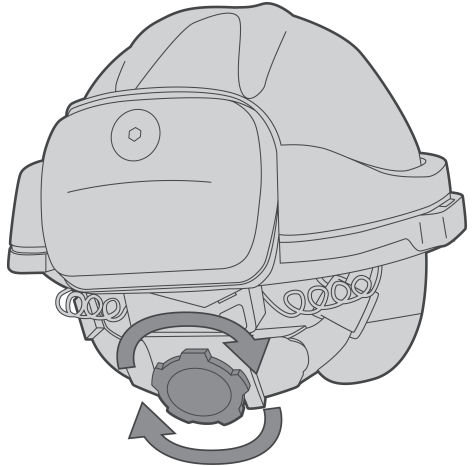
1. Slide the ratchet clip of the mobiWAN\_TR device down behind the ratchet wheel until the ends snap into place.
2. Insert the right side of the suspension strap into the slot of the right transducer clip just after where the suspension begins to bend up into the hardhat.
3. Slide the suspension strap all the way into the right transducer clip until it snaps into place.
4. Repeat for the left side of the suspension and the left transducer clip.
5. Make adjustments to the right and left transducers by sliding them slightly up or down the suspension strap to achieve the most comfortable fit.



# 6

## Physical adjustment

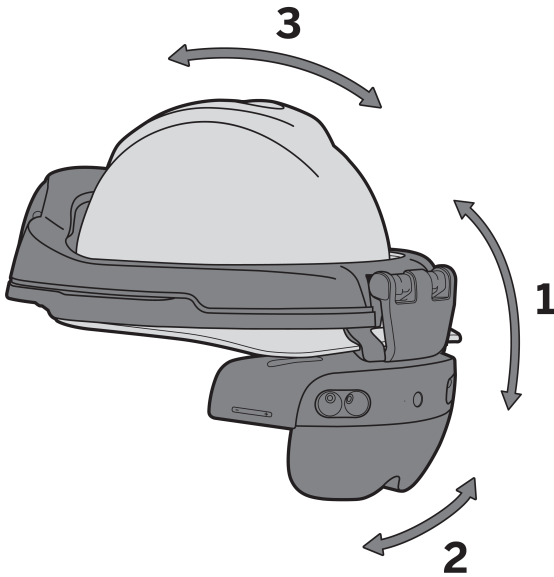
Your XR10 with HoloLens 2 is now fully assembled! To begin using the XR10 with HoloLens 2, place it atop your head and tighten it securely using the ratchet wheel on the rear of the suspension.



# 7

## Visual adjustment

To ensure optimal viewing, the XR10 with HoloLens 2 has two hinges connecting to the lens. The top, larger hinge can be used to flip the visor out of sight, or bring it closer to the face (1). The smaller hinge, located just above the lens, can be used to fine-tune the HoloLens eyebox to your unique eye location and angle (2). For further adjustment, rotate the fit of the hardhat suspension on the crown of your head (3).

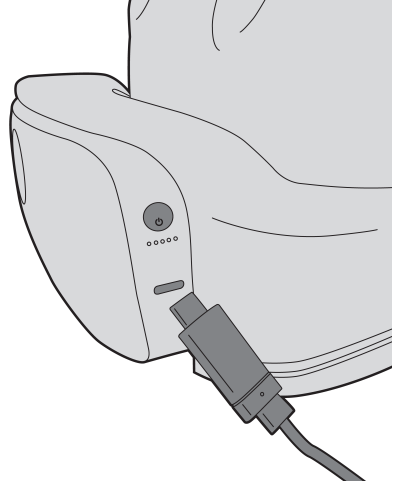


# USAGE

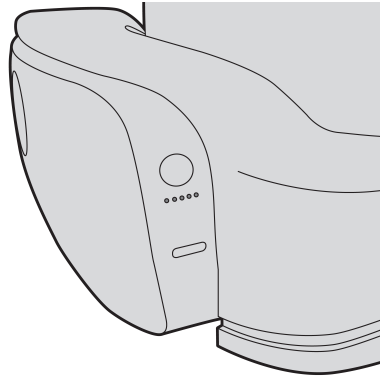
## Turning on and charging

To turn on your XR10 with HoloLens 2 for the first time, press and hold the power button for three to four seconds or connect the device to a power source.

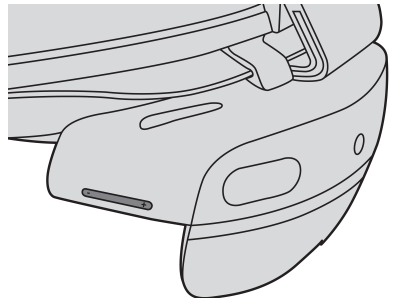
Charge the XR10 with HoloLens 2 using the included USB-C to USB-C cable, power supply, and international adapter (where applicable).



The LED lights display the current charge of the device when charging or in use.



Use the up/down buttons on the left side of the HoloLens visor to adjust the display brightness. When the mobiWAN\_TR Bluetooth device is connected, use the up/down buttons on the right side of the HoloLens visor to adjust the device volume.



## XR10 WITH HOLOLENS 2 DEVICE SETUP

Once turned on, the HoloLens 2 will walk you through the out-of-box setup process.

For more information on this setup, please visit <http://bit.ly/XR10-Info>.

### Connecting to the mobiWAN\_TR device

The mobiWAN\_TR audio solution connects to your XR10 via Bluetooth® wireless technology.

To connect:

1. Turn on the mobiWAN\_TR device and wait for the light on the device to flash rapidly.
2. On the XR10, go to **Settings / Devices / Add Bluetooth or other devices / Bluetooth**.

The mobiWAN\_TR device should appear as available for connection. Once connected, XR10 audio-out will come through the device; XR10 audio-in will still feed through the embedded microphone array on the XR10.

### Charging the mobiWAN\_TR device

Charge the mobiWAN\_TR device using the same USB-C charger included with the XR10 with HoloLens 2. The charge port is located on the right side of the device and is protected by a rubber gasket.

## PROJECTING TO A SCREEN

To display a user's view to a monitor or TV, use a Miracast device or a Windows display adapter:

1. Connect the display adapter to an HDMI-in plug on a monitor or projector and connect the USB cable to a 5V power source.
2. On the XR10 home screen, select the **Miracast** option (shown below) at the bottom right of the panel. Click the Wireless display adapter to begin streaming the view.





# TRIMBLE CONNECT FOR HOLOLENS (TCH)

Trimble Connect is a cloud collaboration platform for engineering and construction projects. All members of a project can view, share, access, and assess data in the field or in the office to support complex decisions, before problems or delays occur onsite. Trimble Connect can be accessed through the desktop, web, mobile, and HoloLens applications.

- ▶ Align 3D models on the jobsite to conduct enhanced design review, guided installations, progress tracking, and QA/QC in the context of the construction environment.
- ▶ Streamline coordination and communication of design intent by combining 3D data from multiple trades, both digital and physical.
- ▶ Manage tasks and RFIs directly in mixed reality, promoting communication between the site and office.
- ▶ Accelerate decision making and reduce downtime by enhancing communication and collaboration between local and remote teams.
- ▶ Avoid disruptions in your data workflow with native support for .skp, .rvt, .ifc, .dwg, .dxf, and more.

## Accessing the app

The XR10 with HoloLens 2 comes with Trimble Connect for HoloLens preinstalled. You can also install the latest version of the app from the Microsoft Store on your XR10. Search for "Trimble Connect". Tap **Get** to download the app to your device.

Once installed, open the app from the main screen and use the demo mode to explore the app; no sign-up or data upload is needed.

To explore with your own data, create a free Trimble Connect account. Go to [connect.trimble.com](https://connect.trimble.com) and click **Sign In**.

## Free Trial

The TCH Premium license unlocks a wide array of workflows for onsite use. To let you try it out, each XR10 with HoloLens 2 comes with a one-month free trial. No credit card or future commitment required; simply click on any premium tool in the app and you will be prompted to start the trial.

Like what you saw? Explore our Premium license options at <http://bit.ly/TCHPremium>.

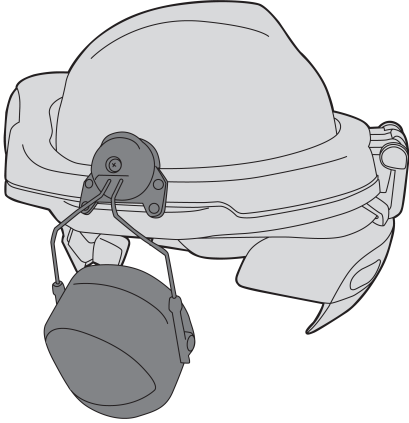


## OPTIONAL ACCESSORIES

### Ear protection

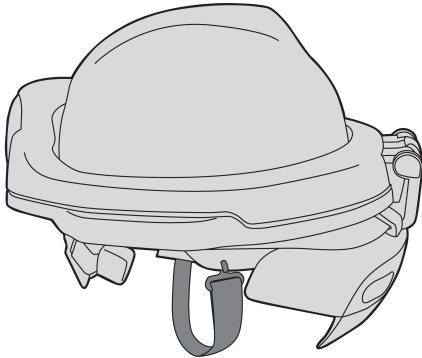
The Trimble XR10 with HoloLens 2 is compatible with a variety of different over-the-ear and in-ear protection systems. Connections can be made into the industry standard accessory mounts on the sides of the XR10.

Over-the-ear protection earmuffs are only compatible with the front brim MSA V-Gard hardhat.



### Chin strap

Standard MSA chin straps can be fastened to the suspension shim using the built-in mounting holes.



## DEVICE CARE

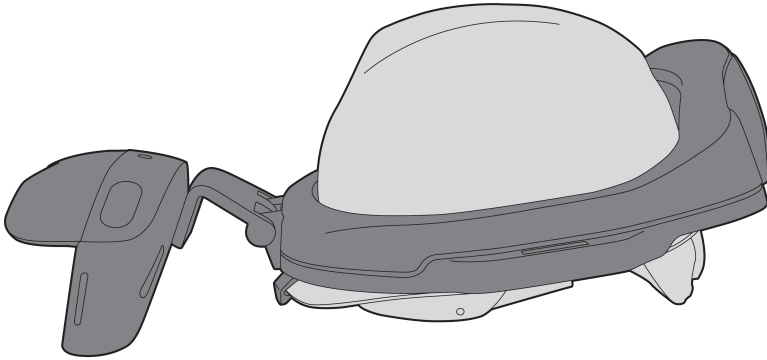
Clean the device by wiping gently with a dry, lint-free microfiber cloth or moisten the cloth with a mix of isopropyl alcohol and water.

For information regarding the use and care of the MSA V-Gard hardhat, please visit [www.msasafety.com/global](http://www.msasafety.com/global).

### Safely storing and placing the the device

Ensure that you store the XR10 with HoloLens 2 in its carrying case in a dry, dust-free, and temperature controlled environment. You must flip the visor down so that it fits in the carrying case.

**Take care in placing the unit on hard surfaces so as not to damage the front glass or let it tip over. It is recommended that you flip the visor up before placing the unit.**



## SUPPORT AND TRAINING

To obtain Trimble warranty service and support, please email [ftgsupport@trimble.com](mailto:ftgsupport@trimble.com) or call 1-800-865-7435 (Monday to Friday, 9:00 am to 7:00 pm ET).

For instructional videos on assembly, setup, and Trimble Connect for HoloLens, please visit our YouTube channel at [youtube.com/TrimbleMixedReality](https://youtube.com/TrimbleMixedReality).



QR code to Trimble Mixed Reality  
YouTube channel

## SAFETY

The Trimble XR10 with HoloLens 2, as shipped, conforms to the following standards for impact safety, electrical protection, and intrinsic safety:

- ANSI/ISEA Z89.1-2014 Type 1, Class E
- CSA Z94.1
- EN 397:2012 A1:2012
- AS/NZS 1801
- GB2811-2007
- UL Class I, Div 2: UL 121201 and CSA C22.2 NO. 213

The Trimble XR10 with HoloLens is not intended to provide eye protection against high impacts (Z87.1), debris, chemicals, or UV light. Trimble XR10 with HoloLens 2 has been tested and found to conform to the basic impact protection requirements of ANSI Z87.1, CSA Z94.3, EN 166, and AS/NZS 1337.1 and is rated IP50, category 2, resistant to dust ingress. The device is less susceptible to damage from dusty environments when it is not powered on. Wearing safety glasses in conjunction with the device is recommended. Your device may become warm during normal use; it complies with the user-accessible surface temperature limits defined by the International Standards for Safety (IEC 60950-1 and IEC 62368-1). This product is for use with NRTL Listed (UL, CSA, ETL, etc.), and/or IEC/EN 60950-1 or IEC/EN 62368-1 compliant (CE marked) Information Technology equipment. No serviceable parts included. This device is rated as a commercial product for operation between +10 °C to 27 °C (+50 °F to 81 °F) and storage between -20 °C to 60 °C (-4 °F to 140 °F). The device is rated for operation and storage within the humidity range of 8 and 90 % RH (relative humidity).

For more information related to Trimble XR10 with HoloLens 2 safety, please visit [bit.ly/XR10-Info](https://bit.ly/XR10-Info).

The Trimble XR10 with HoloLens 2 is compatible with various third-party clip-on accessories. However, attachments and/or modifications to the device may affect the declared safety rating and are performed at your own risk. Please consult with your safety officer to understand the specific requirements for your work. Please replace the hardhat shell and suspension in accordance with the guidance provided by the manufacturer, MSA, or as your local laws require.

Any hardhat, shim, or suspension that shows signs of worn or damaged parts, abuse or degradation should be removed from service immediately and replaced, as this may be a sign that protection is reduced. The hardhat, shim, and suspension should be immediately replaced if subjected to impact.

Please be aware of your surroundings at all times when wearing the Trimble XR10 with HoloLens 2. Using the Trimble XR10 with HoloLens 2 may distract you and make it difficult to see your surroundings. Holograms may appear to be at a distance but still block your view of nearby real objects. Use only in a safe place that is appropriate for your activities. Do not use the Trimble XR10 with HoloLens 2 when a full field of view and attention are needed for safety.

Please be aware that any use of the Trimble XR10 with HoloLens 2 and/or any accompanying software applications is solely at your own risk. Trimble has no responsibility or liability for your use, including, without limitation, any use that results in any injury, illness, or damage to property.

## 安全信息

带HoloLens 2智能眼镜的Trimble XR10头盔，在出厂时符合以下有关冲击安全、电气保护和本质安全的标准：

- ANSI/ISEA Z89.1-2014 Type 1, Class E
- CSA Z94.1
- EN 397:2012 + A1:2012
- AS/NZS 1801
- GB2811-2007
- UL Class I, Div 2: UL 121201 和 CSA C22.2 NO.213

带HoloLens智能眼镜的Trimble XR10头盔，其设计目的并不是为保护眼睛使其免受高冲击（Z87.1+）、碎屑、化学药品或紫外线的伤害。经过测试证实，带HoloLens 2的Trimble XR10符合ANSI Z87.1、CSA Z94.3、EN 166和AS/NZS 1337.1的基本冲击防护要求，并且符合IP50类别2的入口防尘等级。如果设备未开电源，则不容易受到多尘环境的损坏。建议使用此设备时佩戴安全眼镜。在正常使用期间，设备可能会变热。它符合国际安全标准（IEC 60950-1和IEC 62368-1）定义的用户可触及的表面温度限值。本产品可与NRTL Listed（UL、CSA、ETL等等）以及/或者IEC/EN 60950-1或IEC/EN 62368-1兼容（CE标记认证）的信息技术设备一起使用。其中不包括可维修部件。该设备属于商业产品评级，其运行温度是+10° C~27° C，存放温度是-20° C~60° C。该设备等级评定适合在8-90%RH（相对湿度）的湿度范围内操作和存放。

有关带HoloLens 2的Trimble XR10安全性的更多信息，请访问 [bit.ly/XR10-Info](http://bit.ly/XR10-Info)。

带HoloLens 2的Trimble XR10与多种第三方夹式附件兼容。但是，在设备上附接装置和/或对设备进行修改可能会影响所声明的安全等级，后果将由您自负。请咨询您的安全员，以了解您工作的特定要求。请按照制造商MSA提供的指南或您当地的法律要求更换安全帽外壳和悬挂装置。

如果安全帽、垫片或悬挂装置的任何零部件表现出有磨损或损坏迹象、有滥用或功能退化现象，都应当立即停止使用并进行更换，因为这可能是保护程度降低的征兆。如果安全帽、垫片和悬挂装置受到了冲击，应当立即更换。

当您佩戴带HoloLens 2的Trimble XR10时，请始终注意周围的环境。使用带HoloLens 2的Trimble XR10时可能会分散您的注意力，并难以看到周围的环境。全息图看起来距离较远，但会挡住您对附近真实物体的视线。仅在适合您活动的安全场所使用。当需要全方位视线和关注以确保安全时，请不要使用带HoloLens 2的Trimble XR10。

请注意，对带HoloLens 2的Trimble XR10和/或随附软件应用程序的任何使用，其后果均由您自行承担。Trimble对您的使用不承担任何责任或义务，包括但不限于可能导致任何伤害、疾病或财产损失的任何使用。

## 安全資訊

帶HoloLens 2智慧眼鏡的Trimble XR10頭盔，在出廠時符合以下有關衝擊安全、電氣防護和本質安全的標準：

- ANSI/ISEA Z89.1-2014 Type 1, Class E
- CSA Z94.1
- EN 397:2012 + A1:2012
- AS/NZS 1801
- GB2811-2007
- UL Class I, Div 2: UL 121201 和 CSA C22.2 NO.213

帶HoloLens智慧眼鏡的Trimble XR10頭盔的設計，並不是為了保護眼睛使其免受高衝擊（Z87.1+）、碎屑、化學藥品或紫外線的傷害。經過測試證實，帶HoloLens 2的Trimble XR10符合ANSI Z87.1、CSA Z94.3、EN 166和AS/NZS 1337.1的基本衝擊防護要求，並且符合IP50類別2的輸入防塵等級。如果裝置未開電源，則不容易受到多塵環境的損壞。推薦使用此裝置時佩戴安全眼鏡。在正常使用期間，你的裝置可能會變熱。它符合國際安全標準（IEC 60950-1和IEC 62368-1）定義的使用者可觸及的表面溫度限值。本產品可與NRTL Listed（UL、CSA、ETL等）以及/或者IEC/EN 60950-1或IEC/EN 62368-1相容（CE標記認證）的資訊技術設備一起使用。其中不包括可維修元件。本裝置屬於商業產品評級，其運行溫度是+10° C~27° C，存放溫度是-20° C~60° C。本裝置等級評級符于8-90%RH（相對濕度）的濕度範圍內操作和儲存。

有關帶HoloLens 2的Trimble XR10安全性的更多資訊，請拜訪[bit.ly/XR10-Info](http://bit.ly/XR10-Info)。

帶HoloLens 2的Trimble XR10與多種協力廠商的夾式附件相容。但是，在本裝置上附接物件和/或對本裝置進行修改，可能會影響所宣稱的安全等級，後果將由你自行承擔。請教你的安全員，以瞭解你工作的特定要求。請按照製造廠商MSA提供的指南或你當地的法律要求更換安全帽外殼和懸掛裝置。

如果安全帽、墊片或懸掛裝置的任何元件表現出有磨損或損壞跡象、有濫用或功能退化現象，都應當立即停止使用並進行更換，因為這可能是保護程度降低的徵兆。如果安全帽、墊片和懸掛裝置受到了衝擊，應當立即更換。

當你佩戴帶HoloLens 2的Trimble XR10時，請始終注意周圍的環境。使用帶HoloLens 2的Trimble XR10時可能會分散你的注意力，並難以看到周圍的環境。全像投影看起來距離較遠，但會擋住你對附近真實物體的視線。僅在適合你活動的安全場所使用。當需要全方位視線和關注以確保安全時，請不要使用帶HoloLens 2的Trimble XR10。

請注意，對帶HoloLens 2的Trimble XR10和/或隨附軟體應用程式的任何使用，其後果均由你自行承擔。Trimble對你的使用不承擔任何責任或義務，包括但不限於可能導致任何傷害、疾病或財產損失的任何使用。

## SÉCURITÉ

Le Trimble XR10 avec HoloLens 2, livré, répond aux normes suivantes concernant la sécurité à l'impact, la protection électrique et la sécurité intrinsèque :

- ANSI/ISEA Z89.1-2014 Type 1, Classe E
- CSA Z94.1
- EN 397:2012 + A1:2012
- AS/NZS 1801
- GB2811-2007
- UL Class I, Div 2: UL 121201 et CSA C22.2 NO. 213

Le Trimble XR10 avec HoloLens 2 n'est pas conçu à fournir une protection oculaire contre des impacts élevés (Z87.1+), les débris, les produits chimiques, ou la lumière UV. Le Trimble XR10 avec HoloLens 2 a été soumise aux essais et est conforme aux exigences de base de protection contre impact selon ANSI Z87.1, CSA Z94.3, EN 166, et AS/NZS 1337.1 et est classé IP50, catégorie 2, résistant à la poussière. L'appareil est moins sensible aux dommages des endroits poussiéreux lorsqu'il n'est pas sous tension. Le port de lunettes de sécurité avec l'appareil est conseillé. Votre appareil peut devenir chaud pendant l'utilisation normale, il est conforme aux limites de température de la surface accessible à l'utilisateur définies par les Normes internationales de Sécurité (IEC 60950-1 et IEC 62368-1). Cet appareil est conçu pour une utilisation avec des équipements de traitement de l'information classés NRTL (UL, CSA, ETL, et.) et/ou conformément à IEC/EN 60950-1 ou IEC/EN 62368-1 (marqués CE). Il n'y a aucun élément susceptible d'être changé ou modifié par l'utilisateur. Cet appareil est considéré comme un produit commercial avec une température de fonctionnement comprise entre +10 °C et 27 °C et une température de stockage comprise entre -20 °C et 60 °C. L'appareil est classé pour un fonctionnement et stockage dans la fourchette d'humidité de 8 à 90 % RH (humidité relative).

Pour de plus amples informations concernant la sécurité du Trimble XR10 avec HoloLens 2, veuillez consultez [bit.ly/XR10-Info](https://bit.ly/XR10-Info).

Le Trimble XR10 avec HoloLens 2 est compatible avec diverses accessoires à accroche tierces. Cependant, les accessoires et/ou les modifications à l'appareil peuvent influencer la classe de sécurité affirmée et sont effectuées à vos propres risques. Veuillez consulter votre responsable de sécurité afin de comprendre les exigences spécifiques pour votre travail. Veuillez remplacer la coque du casque et la suspension selon les instructions fournies par le fabricant, MSA ou selon les exigences de votre législation locale.

Tout casque de sécurité, cale ou suspension présentant des traces des pièces usées ou abîmées, d'abus ou dégradation devrait être mis hors service immédiatement et remplacé, car cela peut indiquer que la protection est réduite. Il faut remplacer le casque, le cale et la suspension immédiatement s'ils sont soumis à un choc.

Veillez rester en tout temps attentif à ce qui se passe autour de vous lors du port du Trimble XR10 avec HoloLens 2. L'utilisation du Trimble XR10 avec HoloLens 2 peut vous distraire et rend difficile à voir votre environnement. Les hologrammes peuvent paraître d'être à une distance mais néanmoins obstruer votre vue des objets réels à proximité. Ne l'utilisez que dans un lieu sûr approprié à vos activités. N'utilisez pas le Trimble XR10 avec HoloLens 2 lorsqu'un champ de vision entier et d'attention sont requis pour la sécurité.

Veillez noter que toute utilisation du Trimble XR10 avec HoloLens 2 et/ou toute application logicielle connexe est entièrement à vos risques. Trimble ne peut être tenue responsable pour une utilisation, y compris, sans limitation, toute utilisation donnant lieu à une blessure, une maladie, ou des dommages matériels.

## SICHERHEIT

Der Trimble XR10 mit HoloLens 2 entspricht im Lieferzustand den folgenden Normen für Stoß- und Schlagsicherheit, elektrischen Schutz und Eigensicherheit:

- ANSI/ISEA Z89.1-2014 Typ 1, Klasse E
- CSA Z94.1
- EN 397:2012 + A1:2012
- AS/NZS 1801
- GB2811-2007
- UL Class I, Div 2: UL 121201 und CSA C22.2 NO. 213

Der Trimble XR10 mit Microsoft HoloLens eignet sich nicht als Augenschutz gegen hohe Belastungen (Z87.1+), Schmutzpartikel, Chemikalien, UV-Licht usw. Der Trimble XR10 mit HoloLens 2 wurde getestet und erfüllt die grundlegenden Belastungsschutzanforderungen nach ANSI Z87.1, CSA Z94.3, EN 166 und AS/NZS 1337.1. Sie entspricht der Schutzart IP50, Kategorie 2, für den Schutz gegen Staubeindringung. Das Gerät ist im ausgeschalteten Zustand weniger empfindlich für Schäden durch staubige Umgebungen. Das Tragen einer Schutzbrille in Kombination mit der Vorrichtung wird empfohlen. Ihre Vorrichtung kann bei der normalen Nutzung warm werden. Sie erfüllt die Vorgaben der International Standards for Safety (IEC 60950-1 und IEC 62368) für die Temperaturgrenzwerte an für Benutzer zugänglichen Flächen. Dieses Produkt ist zur Nutzung in Verbindung mit IT-Ausrüstung bestimmt, die über ein NRTL-Prüfzertifikat (UL, CSA, ETL usw.) verfügt bzw. mit der Norm IEC/EN 60950-1 oder IEC/EN 62368-1 (CE-Kennzeichnung) kompatibel ist. Es enthält keine vom Benutzer zu wartenden Teile. Die Vorrichtung ist als kommerzielles Produkt für den Betrieb bei Temperaturen von +10 °C bis +27 °C und für die Lagerung zwischen -20 °C und 60 °C ausgelegt. Das Gerät ist für den Betrieb und die Lagerung bei einer relativen Luftfeuchtigkeit von 8 % bis 90 % ausgelegt.

Weitere Sicherheitshinweise zum Trimble XR10 mit HoloLens 2 finden Sie unter [bit.ly/XR10-Info](https://bit.ly/XR10-Info).

Der Trimble XR10 mit HoloLens 2 ist mit verschiedenem Aufsteckzubehör anderer Hersteller kompatibel. Allerdings können Ergänzungen und/oder Änderungen an der Vorrichtung die angegebene Sicherheitseinstufung herabsetzen und erfolgen auf eigene Gefahr. Bezüglich der besonderen Anforderungen für Ihre Arbeitsbedingungen wenden Sie sich an Ihren Sicherheitsbeauftragten. Die Helmschale und die Innenausstattung bitte gemäß den Herstellervorgaben von MSA oder gemäß den geltenden Vorschriften ersetzen.

Wenn am Helm, am Zwischenstück oder an der Innenausstattung Teile verschlissen oder beschädigt oder Anzeichen unsachgemäßer Verwendung oder sonstige Beeinträchtigungen festzustellen sind, muss die Verwendung sofort beendet und das Zubehör ersetzt werden, da dies ein Hinweis dafür sein kann, dass die Schutzwirkung beeinträchtigt ist. Nach Schlag- oder Stoßeinwirkung müssen Helm, Zwischenstück und Innenausstattung sofort ersetzt werden.

Achten Sie beim Tragen des Trimble XR10 mit HoloLens 2 stets auf Ihre Umgebung. Das Verwenden des Trimble XR10 mit HoloLens kann Sie ablenken und die Wahrnehmung Ihrer Umgebung beeinträchtigen. Hologramme wirken ggf. weit entfernt, blockieren aber trotzdem die Sicht auf tatsächliche Objekte in der Nähe. Verwenden Sie das Zubehör nur an einem sicheren Ort, der für Ihre Aktivitäten geeignet ist. Verwenden Sie den Trimble XR10 mit HoloLens 2 nicht, wenn aus Gründen der Sicherheit ein vollständiges Sichtfeld und Ihre absolute Aufmerksamkeit erforderlich sind.

Wir weisen ausdrücklich darauf hin, dass die Verwendung des Trimble XR10 mit HoloLens 2 und/oder von mitgelieferten Softwareanwendungen ausschließlich auf Ihr eigenes Risiko erfolgt. Trimble übernimmt keine Verantwortung oder Haftung für deren Verwendung. Dies gilt unter anderem auch für jede Verwendung, die zu Verletzungen, Krankheiten oder Sachschäden führt.



## 安全

Trimble XR10 with HoloLens 2は、出荷時点で、耐衝撃安全性、電気的保護特性および本質安全防爆に関する次の基準に準拠しています：

- ANSI/ISEA Z89.1-2014 Type 1, Class E
- CSA Z94.1
- EN 397:2012 + A1:2012
- AS/NZS 1801
- GB2811-2007
- UL Class I, Div 2: UL 121201およびCSA C22.2 NO. 213

Trimble XR10 with HoloLensは、強い衝撃（Z87.1+）や、岩などの破片、化学薬品、紫外線から目を保護するための製品ではありません。Trimble XR10 with HoloLensは、ANSI Z87.1、CSA Z94.3、EN 166およびAS/NZS 1337.1の基礎的衝撃保護要件を満たすとの試験結果を基に、IP50、カテゴリー2の「塵の侵入に対して耐性あり」と格付けされています。本製品は塵や埃の多い環境においては電源が入っていない方が損傷を受けにくいですが、本製品と併せて保護眼鏡を着用することをお勧めします。通常の使用時に本製品が熱を持つことがありますが、国際安全基準（IEC 60950-1およびIEC 62368-1）が定めるところの使用者接触表面温度の上限に準拠しています。本製品はNRTL Listed（UL、CSA、ETLなど）およびIEC/EN 60950-1またはIEC/EN 62368-1 準拠（CEマーク）の情報テクノロジー機器で使用するように設計されています。修理できる部品は含まれていません。本製品は、商業用製品として10°～27° Cの環境で動作し、-20°～60°の環境で保管されるように設計されています。本機の動作・保管湿度の仕様は相対湿度8～90 %の範囲となっています。

Trimble XR10 with HoloLens 2の安全に関するさらに詳しい情報は、[bit.ly/XR10-Info](https://bit.ly/XR10-Info)をご参照ください。

Trimble XR10 with HoloLens 2は、さまざまなサードパーティー製クリップオン式アクセサリと互換性があります。しかし、本製品への部品の取り付けや改造は、宣言されている安全性の格付けに影響する恐れがあり、実行する場合、責任はお客様ご自身にあります。お客様の作業の具体的な要件については、安全担当者にお尋ねください。帽体（シェル）やハンモックの交換は、メーカ（MSA）が提供しているガイダンス、あるいはご使用の国や地域の法律に従って行ってください。

ヘルメット、ライナー、ハンモック部分に摩耗や破損箇所、不正使用、劣化が見受けられるときは、保護性能が低下している可能性がありますので、直ちに使用をやめ、正常品と交換してください。ヘルメット、ライナー、ハンモックは、衝撃を受けたときには、直ちに交換してください。

Trimble XR10 with HoloLens 2を着用の際は、常に周囲にご注意ください。Trimble XR10 with HoloLens 2の使用中は、注意が散漫になり、周囲の様子が見づらくなることがあります。ホログラムが離れた所にあるように映っていても、近くの物体の視界を遮ることがあります。各活動に適した場所でのみ使用してください。安全を確保する上で、完全な視野と注意力が必要なときには、Trimble XR10 with HoloLens 2を使用しないでください。

Trimble XR10 with HoloLens 2や付属ソフトウェアアプリケーションの使用はお客様ご自身の責任において行ってください。Trimbleは、お客様のご使用に関して、ご使用の結果生じた怪我、病気、器物破損を含めて（これらに限定されない）、一切責任や義務を負いません。

## 안전성

HoloLens 2가 결합된 Trimble XR10은 충격 안전성, 전기 보호, 본질 안전을 위한 다음의 표준에 부합합니다.

- ANSI/ISEA Z89.1-2014 타입 1, 클래스 E
- CSA Z94.1
- EN 397:2012 + A1:2012
- AS/NZS 1801
- GB2811-2007
- UL Class I, Div 2: UL 121201 및 CSA C22.2 NO. 213

HoloLens가 결합된 Trimble XR10은 큰 충격(Z87.1+), 파편, 화학물질, 자외선으로부터 눈을 보호해 주지 않습니다. HoloLens 2가 결합된 Trimble XR10은 ANSI Z87.1, CSA Z94.3, EN 166 및 AS/NZS 1337.1의 기본적인 충격 보호 요건에 부합하는 것으로 검사되었으며 방진 등급은 IP50, 카테고리 2입니다. 이 기기는 전원을 켜지 않았을 때 먼지가 많은 환경에 덜 취약합니다. 이 기기를 사용할 때는 보안경을 병행 착용하는 것이 좋습니다. 이 기기는 정상적인 사용 도중 온도가 올라갈 수 있지만 국제안전표준(IEC 60950-1 및 IEC 62368-1)에 정의된 표면 온도 한도를 벗어나지 않습니다. 이 제품은 NRTL의 인증(UL, CSA, ETL 등)을 받았거나 IEC/EN 60950-1 또는 IEC/EN 62368-1에 부합(CE 마크)하는 IT 장비에 사용하기 위한 용도입니다. 정비 가능한 부품은 들어 있지 않습니다. 이 기기는 +10 °C ~ 27 °C 범위에서 작동하고, -20 °C ~ 60 °C 범위에서 보관하는 상업용 제품입니다. 이 기기의 작동 및 보관 습도 범위는 8~90% RH(상대 습도)입니다.

HoloLens 2가 결합된 Trimble XR10의 안전에 관한 자세한 정보는 [bit.ly/XR10-Info](https://bit.ly/XR10-Info)에서 확인할 수 있습니다.

HoloLens 2가 결합된 Trimble XR10은 여러 종류의 제3자 부착식 주변기와 함께 사용할 수 있습니다. 하지만 기기에 다른 것을 부착하거나 기기를 개조하면 공표된 안전 등급에 영향을 미칠 수 있으며, 사용자가 자신의 위험 부담 하에 작동하게 됩니다. 사용자의 작업에 대한 구체적인 요건은 안전 담당 직원에게 문의해 알아보시기 바랍니다. 본체와 착장체를 교체할 때는 제조사나 MSA의 지침에 따르거나 해당 지역의 법규에 따르십시오.

마모되거나 손상된 부품, 오남용, 노후화의 흔적이 보이는 본체나 심, 착장체는 보호 기능이 줄었다는 증거일 수 있으므로 즉시 제거하거나 교체해야 합니다. 본체와 심, 착장체가 충격을 받았으면 즉시 교체해야 합니다.

HoloLens 2가 결합된 Trimble XR10을 착용할 때는 항상 주위 상황을 의식하십시오. HoloLens 2가 결합된 Trimble XR10을 사용할 때는 주위가 산만해져 주위 상황을 보기 어려워질 수 있습니다. 홀로그램은 가깝지 않아 보일 수 있지만 그래도 인근 실제 물체의 시야를 가립니다. 활동에 적합한 안전한 곳에서만 사용하십시오. 안전 문제 때문에 완전한 시야와 주의가 필요할 때는 HoloLens 2가 결합된 Trimble XR10을 사용하지 마십시오.

HoloLens 2와 부속 소프트웨어 애플리케이션이 결합된 Trimble XR10은 전적으로 사용자의 위험 부담 하에 의합니다. Trimble은 신체 상해나 질병, 재산 피해를 초래하는 사용 등에 대해 아무 책임이나 배상 의무를 지지 않습니다.

# LIMITED WARRANTY TERMS AND CONDITIONS

## Trimble XR10 with HoloLens 2 Limited Warranty

### One Year Limited Warranty

Trimble Inc. ("Trimble") warrants to the owner of the Trimble XR10 with HoloLens 2 contained in this box ("Product") that the Product will be free from defects in materials and workmanship, under normal use and service, for a period of 12 months from the date of Product shipment ("Warranty Period"). If at any time during the Warranty Period the Product fails to conform to this Limited Warranty, as determined solely by Trimble, Trimble will either repair or replace (at Trimble's option) the defective Product. Repair or replacement may be made with new or refurbished Products or component parts (at Trimble's option). If the Product or component part is no longer available, Trimble may replace the Product with a similar product with a similar function (at Trimble's option). Any Product repaired or replaced under this Limited Warranty will be covered by the terms of this Limited Warranty for the longer of (a) the remaining Warranty Period or (b) 30 days from date of delivery of the repaired or replacement Product. This Limited Warranty is transferrable from the original purchaser to the subsequent owners, but the Warranty Period will not be extended in duration nor will the Limited Warranty be expanded in coverage upon transfer of the Product from the original purchaser to a subsequent owner. Trimble may use an affiliate, authorized distributor or an authorized warranty service center to administer this Limited Warranty.

### Obtaining Warranty Service

If the Product is defective, email Trimble Customer Support at [ftgsupport@trimble.com](mailto:ftgsupport@trimble.com) or call 1-800-865-7435 (Monday - Friday, 9:00 am - 7:00 pm ET). Trimble Customer Support will determine (a) whether and how the Product should be returned to Trimble and (b) whether a replacement Product will be sent to you or a refund issued to you.

### What this Limited Warranty Does Not Cover

This Limited Warranty only applies if the Product is properly and correctly installed and used in accordance with all applicable documentation and specifications. This Limited Warranty will not apply (a) if the defect was caused by damage that occurred while the Product was in the consumer's possession or by abuse, modification, misuse, or improper or unauthorized handling, maintenance, installation or repair of the Product; (b) if the defect was caused by electrical discharge, fresh or salt water immersion or spray or exposure to environmental conditions outside of the recommended conditions set forth in the Product technical specifications; (c) to Products sold "AS IS" or marked "sample"; (d) if the defect was caused by operating the Product under any specification other than, or in addition to, authorized Product documentation and specifications; (e) to Product defects or destruction caused by acts of God, including but not limited to lightning, flooding, tornado or earthquake; (f) for wear and tear expected to occur during the normal course of use, including scratches and cosmetic damage; and (g) if the defect was caused by the combination or use of the Product with hardware, information, data, systems, interfaces or devices not made, supplied or specified by Trimble.

### Disclaimers and Limitations of Liability

The limited remedies described herein are your sole and exclusive remedy and Trimble's sole responsibility under this Limited Warranty. TO THE MAXIMUM EXTENT PERMITTED BY APPLICABLE LAW, AND EXCEPT AS STATED ABOVE IN THIS LIMITED WARRANTY, TRIMBLE MAKES NO (AND SPECIFICALLY DISCLAIMS ALL) REPRESENTATIONS OR WARRANTIES OF ANY KIND, WHETHER EXPRESS, IMPLIED, STATUTORY OR OTHERWISE, INCLUDING, WITHOUT LIMITATION, ANY IMPLIED WARRANTY OF MERCHANTABILITY, SATISFACTORY QUALITY, FITNESS FOR A PARTICULAR PURPOSE, TITLE, OR NON-INFRINGEMENT, AND ANY WARRANTY ARISING OUT OF ANY COURSE OF PERFORMANCE, COURSE OF DEALING OR USAGE OF TRADE. THE DURATION OF ANY IMPLIED WARRANTIES IS LIMITED TO THE DURATION OF THIS LIMITED WARRANTY. SOME JURISDICTIONS DO NOT ALLOW THE FOREGOING EXCLUSIONS AND LIMITATIONS. IN SUCH AN EVENT, SUCH EXCLUSION AND LIMITATION WILL NOT APPLY SOLELY TO THE EXTENT PROHIBITED BY APPLICABLE LAW.

TO THE FULLEST EXTENT PERMISSIBLE UNDER APPLICABLE LAW, IN NO EVENT WILL TRIMBLE, ITS AFFILIATES AND ITS AND THEIR OFFICERS, DIRECTORS, EMPLOYEES, AGENTS, CONTRACTORS, SUPPLIERS, AND LICENSORS BE LIABLE FOR ANY SPECIAL, INCIDENTAL, INDIRECT OR CONSEQUENTIAL, OR PUNITIVE DAMAGES, HOWEVER CAUSED AND REGARDLESS OF THE THEORY OF LIABILITY (INCLUDING, WITHOUT LIMITATION, DAMAGES FOR LOSS OF PROFITS, INTERRUPTION, LOSS OF DATA, OR ANY OTHER PECUNIARY LOSS), ARISING OUT OF, BASED ON, OR RESULTING FROM THIS LIMITED WARRANTY, OR THE USE OF, MISUSE OF, OR INABILITY TO USE THE PRODUCT, EVEN IF TRIMBLE (AND ITS AFFILIATES AND ITS AND THEIR OFFICERS, DIRECTORS, EMPLOYEES, AGENTS, CONTRACTORS, SUPPLIERS, AND LICENSORS) HAVE BEEN ADVISED OF THE POSSIBILITY OF SUCH DAMAGES (INCLUDING DAMAGES INCURRED BY THIRD PARTIES), AND TRIMBLE'S (AND ITS AFFILIATES' AND ITS AND THEIR OFFICERS'; DIRECTORS'; EMPLOYEES'; AGENTS'; CONTRACTORS'; SUPPLIERS'; AND LICENSORS') TOTAL CUMULATIVE LIABILITY ARISING OUT OF, BASED ON, OR RESULTING FROM THIS LIMITED WARRANTY OR THE PRODUCT IS LIMITED TO THE AMOUNT ACTUALLY PAID FOR THE PRODUCT BY THE ORIGINAL PURCHASER.

This Limited Warranty provides you with certain legal rights, but you may have other, additional legal rights, which vary from jurisdiction to jurisdiction. Some jurisdictions do not permit the exclusion of implied warranties or the exclusion or limitation of certain damages or other rights, so those terms of this Limited Warranty may not apply to you.

### [Official Language](#)

The official language of this document is English. If there is a conflict between the English language version and other language versions of this document, the English language version will control.

# COMPLIANCE NOTICES

## FCC Notices

FCC Class B - Notice to Users. This device complies with Part 15 of the FCC Rules. Operation is subject to the following two conditions: (1) This device may not cause harmful interference, and (2) This device must accept any interference received, including interference that may cause undesired operation.

Changes and modifications not expressly approved by the manufacturer or registrant of this equipment can void your authority to operate this equipment under Federal Communications Commission rules.

The products that contain Wi-Fi and Bluetooth radio transmitters have been designed, manufactured and tested to meet the Federal Communications Commission (FCC), Industry Canada and European guidelines for RF exposure and Specific Absorption Rate.

To ensure that your exposure to RF energy generated by the Wi-Fi and Bluetooth radios does not exceed the exposure limits set forth by these guidelines, orient the device such that the display side is not directly in contact with your body, such as lying display side face down on your lap or upper body.

Additional information about RF safety can be found on the FCC website at [www.fcc.gov/oet/rfsafety](http://www.fcc.gov/oet/rfsafety) and the Industry Canada website at [www.ic.gc.ca/eic/site/smt-gst.nsf/eng/sf01904.htm](http://www.ic.gc.ca/eic/site/smt-gst.nsf/eng/sf01904.htm).

## USA

*FDA - Notice to Users.* Complies with 21 CFR 1040.10 and 1040.11 except for deviations pursuant to Laser Notice No. 50, dated June 24, 2007.

## Canada

This Class B digital apparatus complies with Canadian ICES-003.

Cet appareil numérique de la classe B est conforme à la norme NMB-003 du Canada.

This apparatus complies with Canadian RSS-GEN and RSS-247.

Cet appareil est conforme à la norme CNR-GEN et CNR-247 du Canada.

## Europe

The products covered by this guide may be operated in all EU member countries (BE, BG, CZ, DK, DE, EE, IE, EL, ES, FR, HR, IT, CY, LV, LT, LU, HU, MT, NL, AT, PL, PT, RO, SI, SK, FI, SE, UK), Norway and Switzerland. The products have been tested and found to comply with the requirements for a Radio Equipment device pursuant to European Council Directive 2014/53/EU on EMC, thereby satisfying the requirements for CE Marking and sale within the European Economic Area (EEA). Contains a Bluetooth radio module. These requirements are designed to provide reasonable protection against harmful interference when the equipment is operated in a residential or commercial environment.

## CE Declaration of Conformity

Hereby, Trimble Inc., declares that the GNSS receiver is in compliance with the essential requirements and other relevant provisions of Radio Equipment Directive 2014/53/EU.



English	Hereby, Trimble Inc., declares that this receiver is in compliance with the essential requirements and other relevant provisions of Directive 2014/53/EU.
Danish	Undertegnede Trimble Inc. erklærer herved, at følgende udstyr modtager overholder de væsentlige krav og øvrige relevante krav i direktiv 2014/53/EU.
Dutch	Hierbij verklaart Trimble Inc. dat het toestel ontvanger in overeenstemming is met de essentiële eisen en de andere relevante bepalingen van richtlijn 2014/53/EU.  Bij deze verklaart Trimble Inc. dat deze ontvanger voldoet aan de essentiële eisen en aan de overige relevante bepalingen van Richtlijn 2014/53/EU.
Finnish	Trimble Inc.vakuuttaa täten että vastaanotin tyyppinen laite on direktiivin 2014/53/EU oleellisten vaatimusten ja sitä koskevien direktiivin muiden ehtojen mukainen.
French	Par la présente Trimble Inc. déclare que l'appareil récepteur est conforme aux exigences essentielles et aux autres dispositions pertinentes de la directive 2014/53/EU.  Par la présente, Trimble Inc. déclare que ce récepteur est conforme aux exigences essentielles et aux autres dispositions de la directive 2014/53/EU qui lui sont applicables.
German	Hiermit erklärt Trimble Inc., dass empfänger in Übereinstimmung mit den grundlegenden Anforderungen und den anderen relevanten Vorschriften der Richtlinie 2014/53/EU befindet". (BMWi)  Hiermit erklärt Trimble Inc. die Übereinstimmung des Gerätes empfänger mit den grundlegenden Anforderungen und den anderen relevanten Festlegungen der Richtlinie 2014/53/EU. (Wien)
Greek	ΜΕ ΤΗΝ ΠΑΡΟΥΣΑ Trimble Inc ΔΗΛΩΝΕΙ ΟΤΙ Δέκτης ΣΥΜΜΟΡΦΩΝΕΤΑΙ ΠΡΟΣ ΤΙΣ ΟΥΣΙΩΔΕΙΣ ΑΠΑΙΤΗΣΕΙΣ ΚΑΙ ΤΙΣ ΛΟΙΠΕΣ ΣΧΕΤΙΚΕΣ ΔΙΑΤΑΞΕΙΣ ΤΗΣ ΟΔΗΓΙΑΣ 2014/53/EU.
Italian	Con la presente Trimble Inc. dichiara che questo ricevitore è conforme ai requisiti essenziali ed alle altre disposizioni pertinenti stabilite dalla direttiva 2014/53/EU.
Portuguese	Trimble Inc. declara que este receptor está conforme com os requisitos essenciais e outras disposições da Directiva 2014/53/EU.
Spanish	Por medio de la presente Trimble Inc. declara que el receptor cumple con los requisitos esenciales y cualesquiera otras disposiciones aplicables o exigibles de la Directiva 2014/53/EU.
Swedish	Härmed intygar Trimble Inc. att denna mottagare står i överensstämmelse med de väsentliga egenskapskrav och övriga relevanta bestämmelser som framgår av direktiv 2014/53/EU.

## Class 1 laser product

IEC 60825-1:2014-05

## Australia and New Zealand

This product conforms with the regulatory requirements of the Australian Communications and Media Authority (ACMA) Radiocommunications Act, thus satisfying the requirements for RCM Marking and sale within Australia and New Zealand.



## Restriction of Use of Certain Hazardous Substances in Electrical and Electronic Equipment (RoHS)

Trimble products in this guide comply in all material respects with DIRECTIVE 2011/65/EU OF THE EUROPEAN PARLIAMENT AND OF THE COUNCIL of 21 July 2011 on the restriction of the use of certain hazardous substances in electrical and electronic equipment (RoHS Directive) and with exemptions for lead in solder pursuant to Paragraph 7 of the Annex to the RoHS Directive applied.

## Waste Electrical and Electronic Equipment (WEEE)

For product recycling instructions and more information, please go to [www.trimble.com/Corporate/Environmental\\_Compliance.aspx](http://www.trimble.com/Corporate/Environmental_Compliance.aspx).

Recycling in Europe: To recycle Trimble WEEE (Waste Electrical and Electronic Equipment, products that run on electrical power.), Call +31 497 53 24 30, and ask for the "WEEE Associate". Or, mail a request for recycling instructions to:



Trimble Europe BV, c/o Menlo Worldwide Logistics, Meerheide 45, 5521 DZ Eersel, NL



© 2019, Trimble Inc. All rights reserved. Trimble, and the Globe & Triangle logo are trademarks of Trimble Inc., registered in the United States and in other countries. Microsoft, Windows, and HoloLens are either registered trademarks or trademarks of Microsoft Corporation in the United States and/or other countries. The Bluetooth word mark and logos are owned by the Bluetooth SIG, Inc. and any use of such marks by Trimble Inc. is under license. All other trademarks are the property of their respective owners. This is the November 2019 release (Revision A) of the XR10 with HoloLens Quick Start Guide.

P/N XR10-DOC



Trimble Inc.  
10368 Westmoor Drive  
Westminster, Colorado 80021  
USA

800-361-1249 (Toll Free)  
+1-937-245-5154 Phone  
+1-937-233-9441 Fax  
[www.trimble.com](http://www.trimble.com)  
Email: [ftgsupport@trimble.com](mailto:ftgsupport@trimble.com)